

FixtureBuilder assembly instructions

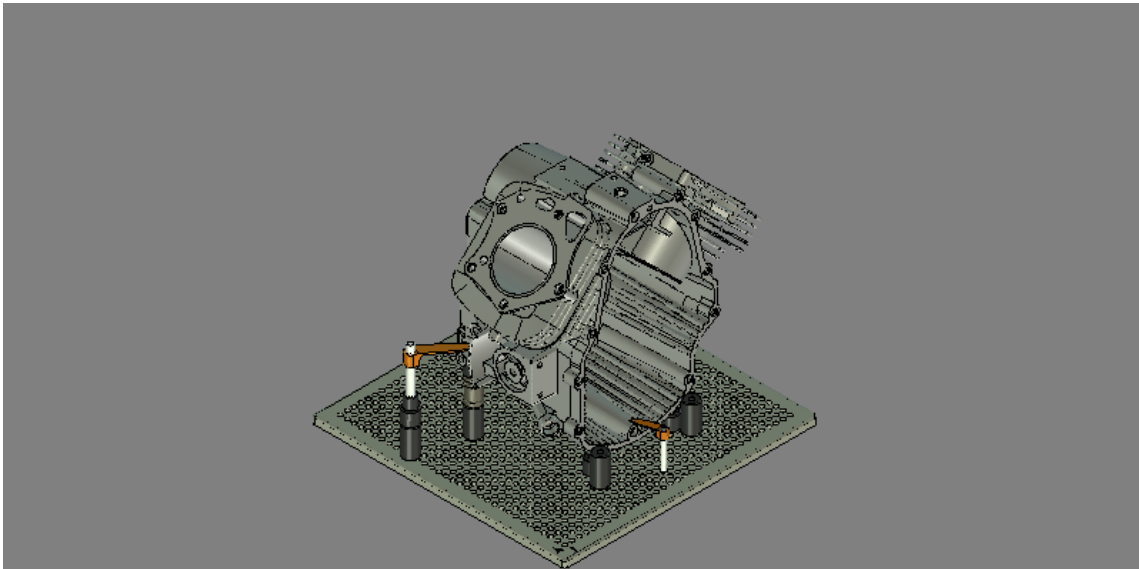
Fixture assembly instructions for: V-twin DEMO.ics Documentation for Quality Standard requirements

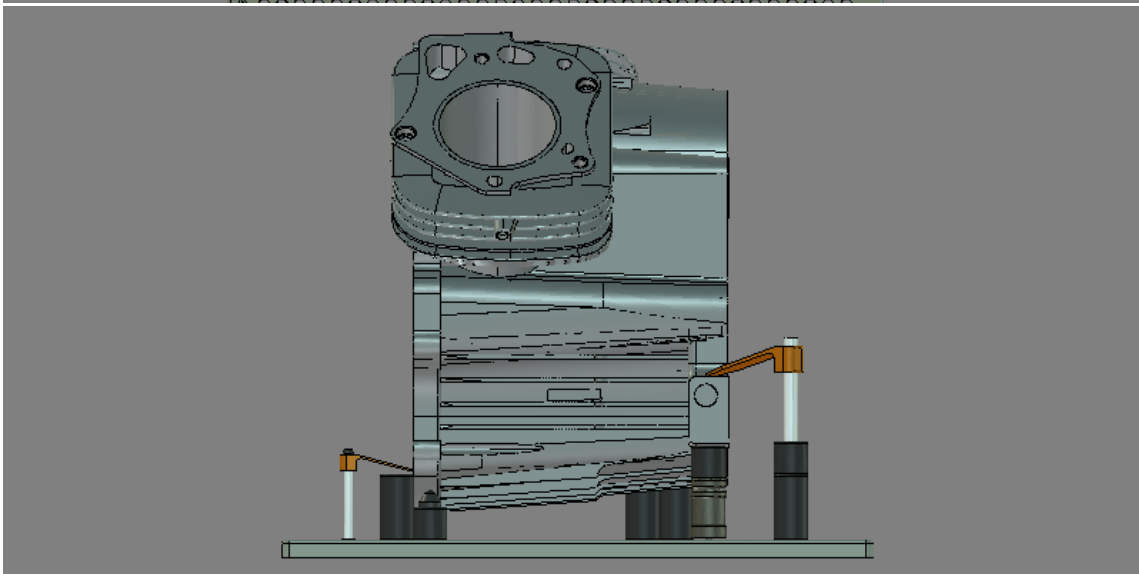
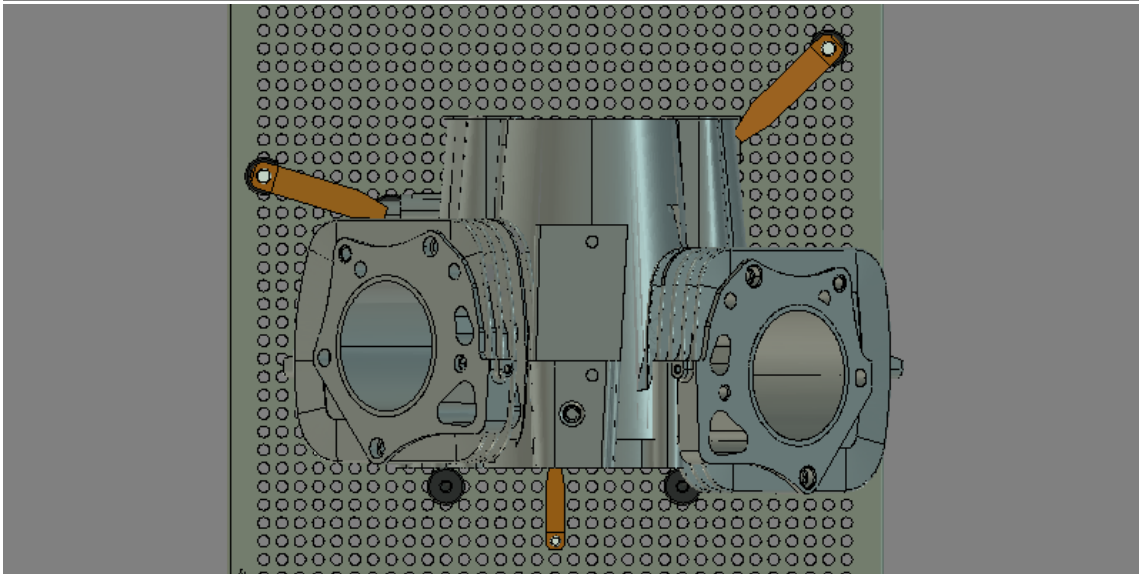
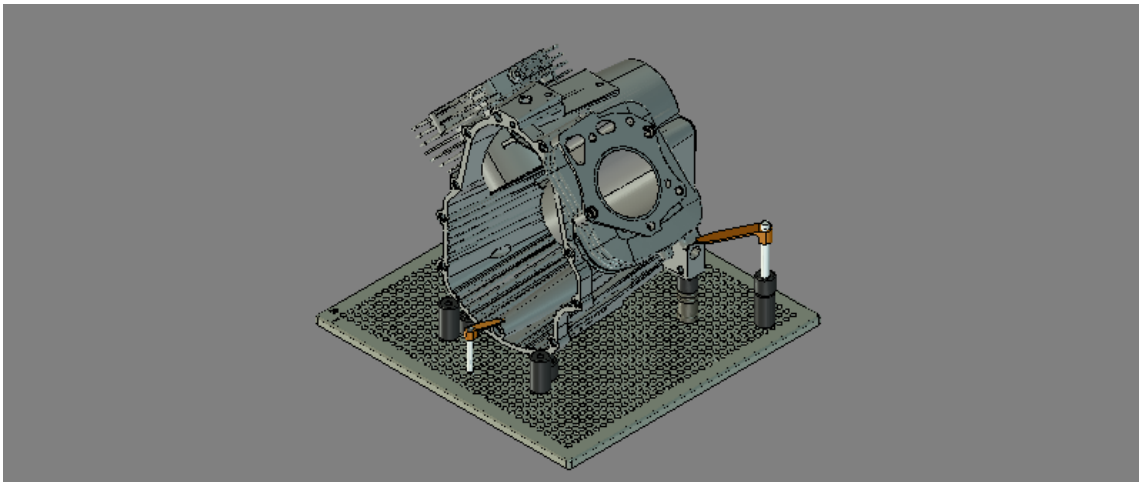
1. Setup Instructions:

Instructions For Assembling Ungrouped Items:

1. : Start with plate "R-PC-13450450-12-6".
 - 1.1. : Attach "R-S-2550-6" onto plate at **32-DD** followed by: 1 - "R-S-2525-6"
 - 1.1.1. : Attach "R-CT-95-83-6" onto previous item at location shown
 - 1.2. : Attach "R-S-2550-6" onto plate at **1-W** followed by: 1 - "R-S-2525-6", 1 - "R-S-1925-6"
 - 1.2.1. : Attach "R-CT-95-83-6" onto previous item at location shown
 - 1.3. : Attach "R-AJ-25-6" onto plate at **26-Y**
 - 1.3.1. : Attach "R-S-2525-6" onto previous item at location shown
 - 1.4. : Attach "R-S-2550-6" onto plate at **8-U** followed by: 1 - "R-AJ-25-6", 1 - "R-S-2525-6"
 - 1.5. : Attach "R-S-2525-6" onto plate at **23-H**
 - 1.5.1. : Attach "R-RCD-6" onto previous item at location shown
 - 1.6. : Attach "R-S-2525-6" onto plate at **12-H**
 - 1.6.1. : Attach "R-RCD-6" onto previous item at location shown
 - 1.7. : Attach "R-S-2550-6" onto plate at **24-F**
 - 1.8. : Attach "R-S-2550-6" onto plate at **11-F**
 - 1.9. : Attach "R-CT-64-70-6" onto plate at **17-C**

2. Preview Images:





3. Bill Of Materials:

Part Number	Quantity	Description
R-PC-13450450-12-6	1	M6 450x450mm fixture base plate
R-S-2550-6	5	25 mm x 50 mm steel standoff with M6 thread
R-S-2525-6	6	25 mm x 25 mm steel standoff with M6 thread
R-RCD-6	2	16 mm x 13 mm Delrin resting cone with M6 thread
R-AJ-25-6	2	25 mm adjustable aluminium jackstand with M6 thread
R-S-1920-6	1	19 mm x 20 mm steel standoff with M6 thread
R-CT-64-70-6	1	64 mm tension clamp with 68 mm post and M6 thread
R-CT-95-83-6	2	95 mm tension clamp with 83 mm post and M6 thread