

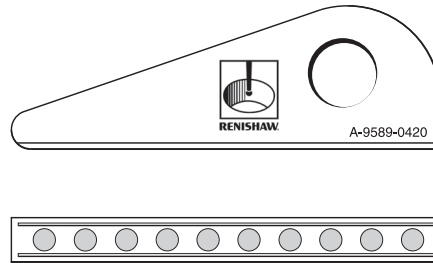
## RTL\* scale installation tool (A-9589-0420)

A-9589-0420 RTL\* scale installation tool is used as an aid to insert RTL scale through the *FASTRACK*™ carrier system.

**NOTE:** Refer to the relevant readhead installation guide for specific *FASTRACK* installation instructions.

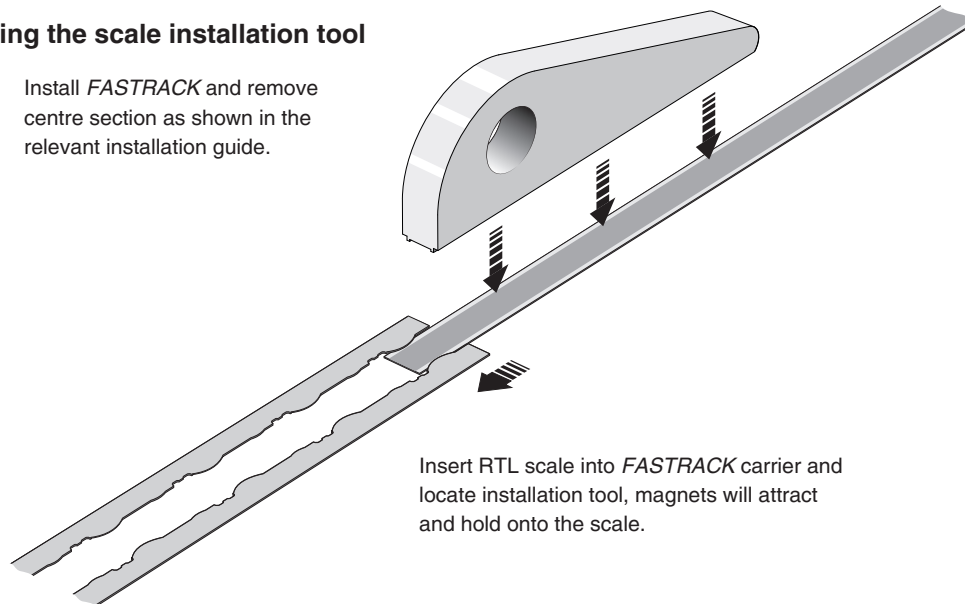
**Tool identification:**

RTL A/RTL C/RTL R scale installation tool (A-9589-0420)



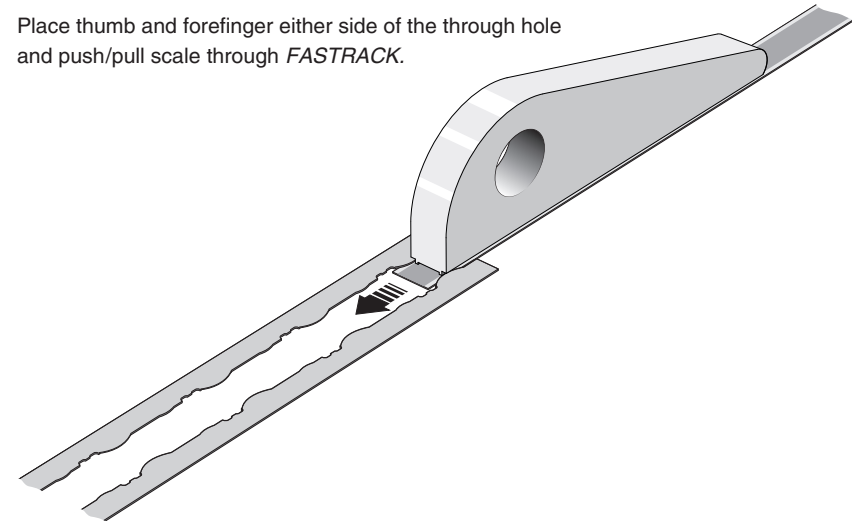
### Using the scale installation tool

- 1 Install *FASTRACK* and remove centre section as shown in the relevant installation guide.

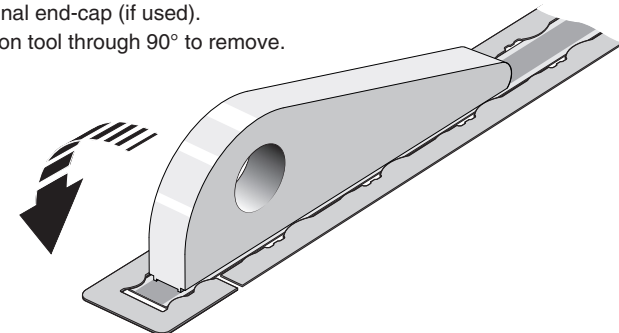


Insert RTL scale into *FASTRACK* carrier and locate installation tool, magnets will attract and hold onto the scale.

- 2 Place thumb and forefinger either side of the through hole and push/pull scale through *FASTRACK*.

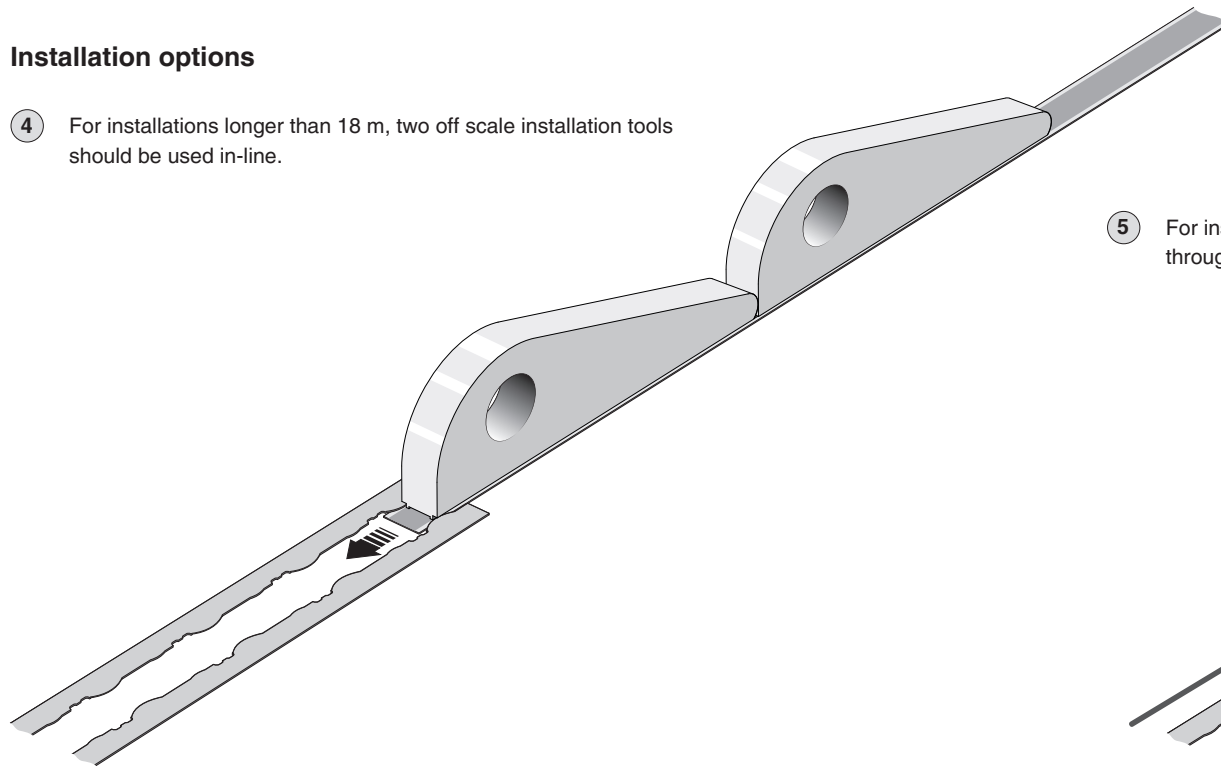


- 3 Feed scale through to the end of the *FASTRACK* or into the optional end-cap (if used). Roll installation tool through 90° to remove.

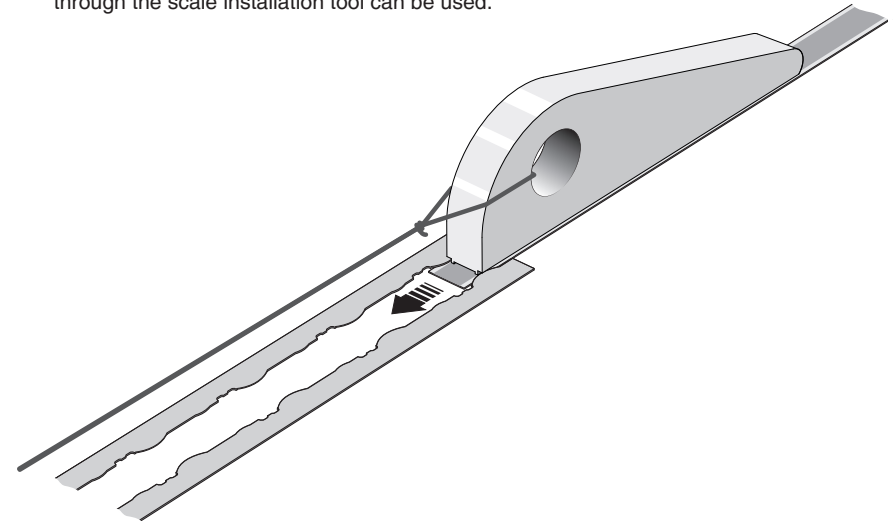


## Installation options

- 4 For installations longer than 18 m, two off scale installation tools should be used in-line.



- 5 For installations where access is limited a pull cord threaded through the scale installation tool can be used.



For worldwide contact details, please visit our main website at  
[www.renishaw.com/contact](http://www.renishaw.com/contact)

RENISHAW HAS MADE CONSIDERABLE EFFORTS TO ENSURE THE CONTENT OF THIS DOCUMENT IS CORRECT AT THE DATE OF PUBLICATION BUT MAKES NO WARRANTIES OR REPRESENTATIONS REGARDING THE CONTENT. RENISHAW EXCLUDES LIABILITY, HOWSOEVER ARISING, FOR ANY INACCURACIES IN THIS DOCUMENT.

© 2017-2019 Renishaw plc. All rights reserved.

Renishaw reserves the right to change specifications without notice.

RENISHAW and the probe symbol used in the RENISHAW logo are registered trade marks of Renishaw plc in the United Kingdom and other countries.

apply innovation and names and designations of other Renishaw products and technologies are trade marks of Renishaw plc or its subsidiaries.

All other brand names and product names used in this document are trade names, trade marks or registered trade marks of their respective owners.



M - 9589 - 9101 - 01

Part no.: M-9589-9101-01-B  
Issued: 11.2019