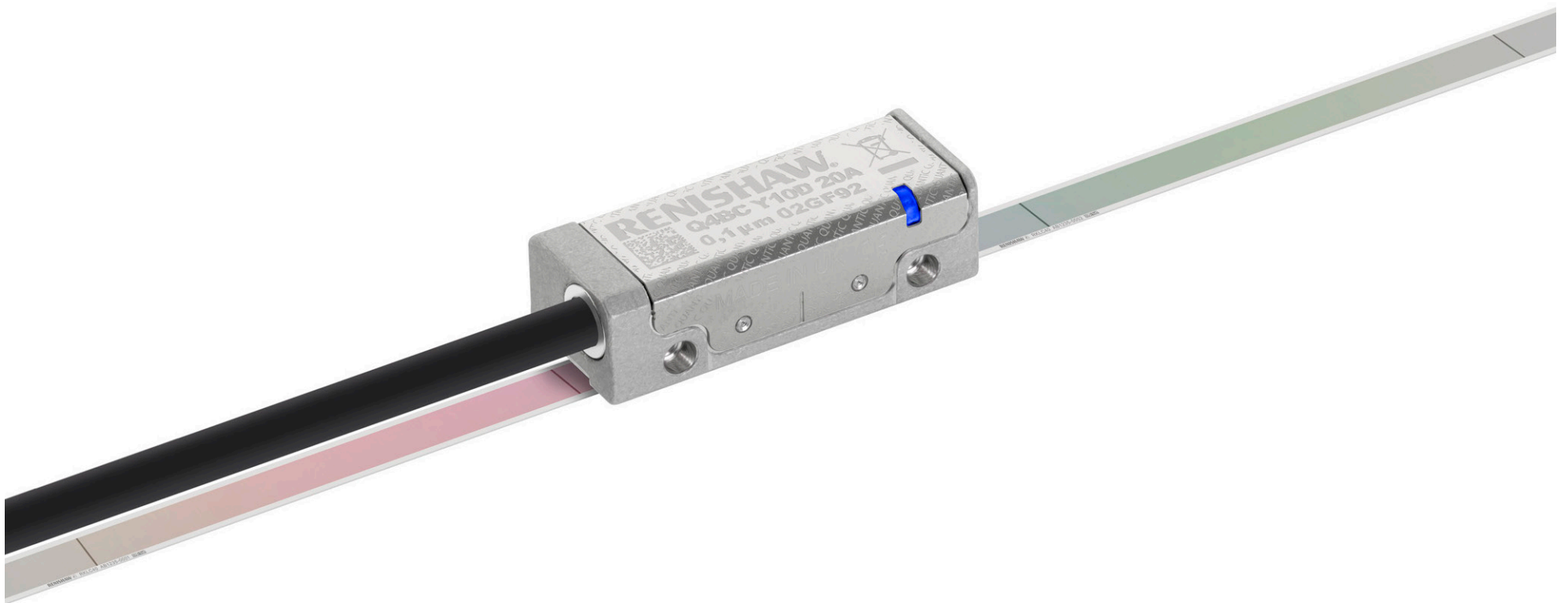


# QUANTiC™ RTLC40-S incremental linear encoder system



This page is intentionally left blank.

## Contents

Legal notices . . . . .	4
Storage and handling . . . . .	9
QUANTiC readhead installation drawing . . . . .	11
RTL40-S scale installation drawing . . . . .	12
Equipment for installing the RTL40-S scale. . . . .	13
Applying the RTL40-S scale . . . . .	15
Fitting the end covers . . . . .	16
Fitting the datum clamp . . . . .	16
Reference mark selector and limit magnet installation . . . . .	17
QUANTiC readhead quick-start guide . . . . .	18
Readhead mounting and alignment . . . . .	19
System calibration . . . . .	20
Restoring factory defaults . . . . .	21
Switching Automatic Gain Control (AGC) on or off. . . . .	21
Troubleshooting . . . . .	22
Output signals. . . . .	25
QUANTiC readhead termination options . . . . .	27
Speed . . . . .	28
Electrical connections. . . . .	29
Output specifications . . . . .	31
General specifications . . . . .	33
RTL40-S scale specifications. . . . .	34
Reference mark . . . . .	34
Limit switches . . . . .	34

## Legal notices

### Patents

Features of Renishaw's QUANTiC™ and RTL40-S encoder systems are the subjects of the following patents and patent applications:

EP1173731	US6775008	JP4750998	CN100543424	EP1766334
JP4932706	US7659992	CN100507454	EP1766335	IN281839
JP5386081	US7550710	CN101300463	EP1946048	JP5017275
US7624513	CN101310165	EP1957943	US7839296	CN108351229
EP3347681	JP2018530751	KR20180052676	US20180216972	WO2017203210
CN1314511	EP1469969	EP2390045	JP5002559	US8987633
US8466943				

### Terms and conditions and warranty

Unless you and Renishaw have agreed and signed a separate written agreement, the equipment and/or software are sold subject to the Renishaw Standard Terms and Conditions supplied with such equipment and/or software, or available on request from your local Renishaw office.

Renishaw warrants its equipment and software for a limited period (as set out in the Standard Terms and Conditions), provided that they are installed and used exactly as defined in associated Renishaw documentation. You should consult these Standard Terms and Conditions to find out the full details of your warranty.

Equipment and/or software purchased by you from a third-party supplier is subject to separate terms and conditions supplied with such equipment and/or software. You should contact your third-party supplier for details.

### Declaration of Conformity

Renishaw plc hereby declares that the QUANTiC encoder system is in compliance with the essential requirements and other relevant provisions of:

- the applicable EU directives
- the relevant statutory instruments under UK law



The full text of the declaration of conformity is available at: [www.renishaw.com/productcompliance](http://www.renishaw.com/productcompliance).

### Compliance

#### Federal Code Of Regulation (CFR) FCC Part 15 – RADIO FREQUENCY DEVICES

##### 47 CFR Section 15.19

This device complies with part 15 of the FCC Rules. Operation is subject to the following two conditions: (1) This device may not cause harmful interference, and (2) this device must accept any interference received, including interference that may cause undesired operation.

##### 47 CFR Section 15.21

The user is cautioned that any changes or modifications not expressly approved by Renishaw plc or authorised representative could void the user's authority to operate the equipment.

##### 47 CFR Section 15.105

This equipment has been tested and found to comply with the limits for a Class A digital device, pursuant to part 15 of the FCC Rules. These limits are designed to provide reasonable protection against harmful interference when the equipment is operated in a commercial environment.

This equipment generates, uses, and can radiate radio frequency energy and, if not installed and used in accordance with the instruction manual, may cause harmful interference to radio communications. Operation of this equipment in a residential area is likely to cause harmful interference in which case the user will be required to correct the interference at his own expense.

## 47 CFR Section 15.27

This unit was tested with shielded cables on the peripheral devices. Shielded cables must be used with the unit to ensure compliance.

## Supplier's Declaration of Conformity

### 47 CFR § 2.1077 Compliance Information

**Unique Identifier:** QUANTiC

#### Responsible Party - U.S. Contact Information

Renishaw Inc.  
 1001 Wesemann Drive  
 West Dundee  
 Illinois  
 IL 60118  
 United States  
 Telephone number: +1 847 286 9953  
 Email: [usa@renishaw.com](mailto:usa@renishaw.com)

### ICES-003 — Industrial, Scientific and Medical (ISM) Equipment (Canada)

This ISM device complies with CAN ICES-003.

Cet appareil ISM est conforme à la norme ICES-003 du Canada.

## Intended use

The QUANTiC encoder system is designed to measure position and provide that information to a drive or controller in applications requiring motion control. It must be installed, operated, and maintained as specified in Renishaw documentation and in accordance with the Standard Terms and Conditions of the Warranty and all other relevant legal requirements.

## Further information

Further information relating to the QUANTiC encoder range can be found in the *QUANTiC™ series encoder system* data sheet (Renishaw part no. L-9517-9778), *Advanced Diagnostic Tool ADTi-100* data sheet (Renishaw part no. L-9517-9699), *Advanced Diagnostic Tool ADTi-100 and ADT View software* user guide (Renishaw part no. M-6195-9413) and *Advanced Diagnostic Tool ADTi-100 and ADT View software* quick-start guide (Renishaw part no. M-6195-9321). These can be downloaded from our website at [www.renishaw.com/quanticdownloads](http://www.renishaw.com/quanticdownloads) and are also available from your local Renishaw representative.

## Packaging

The packaging of our products contains the following materials and can be recycled.

Packing component	Material	ISO 11469	Recycling guidance
Outer box	Cardboard	Not applicable	Recyclable
	Polypropylene	PP	Recyclable
Inserts	Low density polyethylene foam	LDPE	Recyclable
	Cardboard	Not applicable	Recyclable
Bags	High density polyethylene bag	HDPE	Recyclable
	Metallised polyethylene	PE	Recyclable

## REACH regulation

Information required by Article 33(1) of Regulation (EC) No. 1907/2006 ("REACH") relating to products containing substances of very high concern (SVHCs) is available at [www.renishaw.com/REACH](http://www.renishaw.com/REACH).

## Disposal of waste electrical and electronic equipment



The use of this symbol on Renishaw products and/or accompanying documentation indicates that the product should not be mixed with general household waste upon disposal. It is the responsibility of the end user to dispose of this product at a designated collection point for waste electrical and electronic equipment (WEEE) to enable reuse or recycling. Correct disposal of this product will help to save valuable resources and prevent potential negative effects on the environment. For more information, contact your local waste disposal service or Renishaw distributor.

## QUANTiC software notices

### Third party licences

The QUANTiC product includes embedded software (firmware) to which the following notices apply:

Copyright © 2009 - 2013 ARM LIMITED

All rights reserved.

This Redistribution and use in source and binary forms, with or without modification, are permitted provided that the following conditions are met:

- Redistributions of source code must retain the above copyright notice, this list of conditions and the following disclaimer.
- Redistributions in binary form must reproduce the above copyright notice, this list of conditions and the following disclaimer in the documentation and/or other materials provided with the distribution.
- Neither the name of ARM nor the names of its contributors may be used to endorse or promote products derived from this software without specific prior written permission.

THIS SOFTWARE IS PROVIDED BY THE COPYRIGHT HOLDERS AND CONTRIBUTORS "AS IS" AND ANY EXPRESS OR IMPLIED WARRANTIES, INCLUDING, BUT NOT LIMITED TO, THE IMPLIED WARRANTIES OF MERCHANTABILITY AND FITNESS FOR A PARTICULAR PURPOSE ARE DISCLAIMED. IN NO EVENT SHALL COPYRIGHT HOLDERS AND CONTRIBUTORS BE LIABLE FOR ANY DIRECT, INDIRECT, INCIDENTAL, SPECIAL, EXEMPLARY, OR CONSEQUENTIAL DAMAGES (INCLUDING, BUT NOT LIMITED TO, PROCUREMENT OF SUBSTITUTE GOODS OR SERVICES; LOSS OF USE, DATA, OR PROFITS; OR BUSINESS INTERRUPTION) HOWEVER CAUSED AND ON ANY THEORY OF LIABILITY, WHETHER IN CONTRACT, STRICT LIABILITY, OR TORT (INCLUDING NEGLIGENCE OR OTHERWISE) ARISING IN ANY WAY OUT OF THE USE OF THIS SOFTWARE, EVEN IF ADVISED OF THE POSSIBILITY OF SUCH DAMAGE.

Copyright © NXP Semiconductors, 2012

All rights reserved.

Software that is described herein is for illustrative purposes only which provides customers with programming information regarding the LPC products.

This software is supplied "AS IS" without any warranties of any kind, and NXP Semiconductors and its licensor disclaim any and all warranties, express or implied, including all implied warranties of merchantability, fitness for a particular purpose and non-infringement of intellectual property rights.

- NXP Semiconductors assumes no responsibility or liability for the use of the software, conveys no license or rights under any patent, copyright, mask work right, or any other intellectual property rights in or to any products.
- NXP Semiconductors reserves the right to make changes in the software without notification.
- NXP Semiconductors also makes no representation or warranty that such application will be suitable for the specified use without further testing or modification.

Permission to use, copy, modify, and distribute this software and its documentation is hereby granted, under NXP Semiconductors' and its licensor's relevant copyrights in the software, without fee, provided that it is used in conjunction with NXP Semiconductors microcontrollers. This copyright, permission, and disclaimer notice must appear in all copies of this code.

## US government notice

### NOTICE TO UNITED STATES GOVERNMENT CONTRACT AND PRIME CONTRACT CUSTOMERS

This software is commercial computer software that has been developed by Renishaw exclusively at private expense. Notwithstanding any other lease or licence agreement that may pertain to, or accompany the delivery of, this computer software, the rights of the United States Government and/or its prime contractors regarding its use, reproduction and disclosure are as set forth in the terms of the contract or subcontract between Renishaw and the United States Government, civilian federal agency or prime contractor respectively. Please consult the applicable contract or subcontract and the software licence incorporated therein, if applicable, to determine your exact rights regarding use, reproduction and/or disclosure.

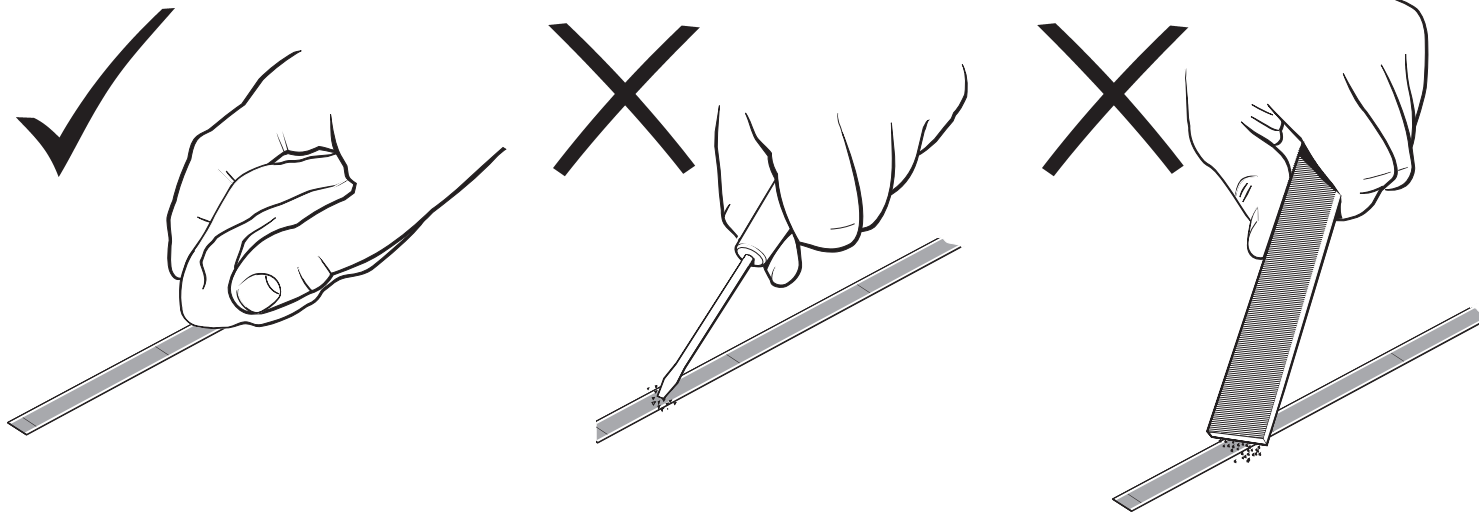
## Renishaw End User Licence Agreement (EULA)

Renishaw software is licensed in accordance with the Renishaw licence at:  
[www.renishaw.com/legal/softwareterms](http://www.renishaw.com/legal/softwareterms).

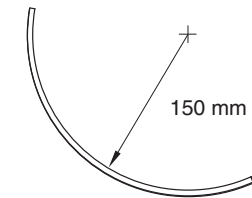


## Storage and handling

QUANTiC non-contact optical encoder systems provide good immunity against contaminants such as dust, fingerprints and light oils. However, in harsh environments such as machine tool applications, protection should be provided to prevent ingress of coolant or oil.

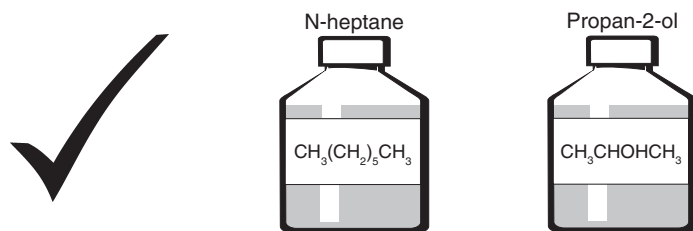


### Minimum bend radius

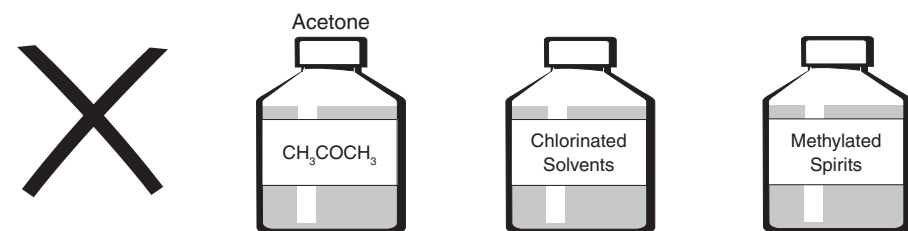


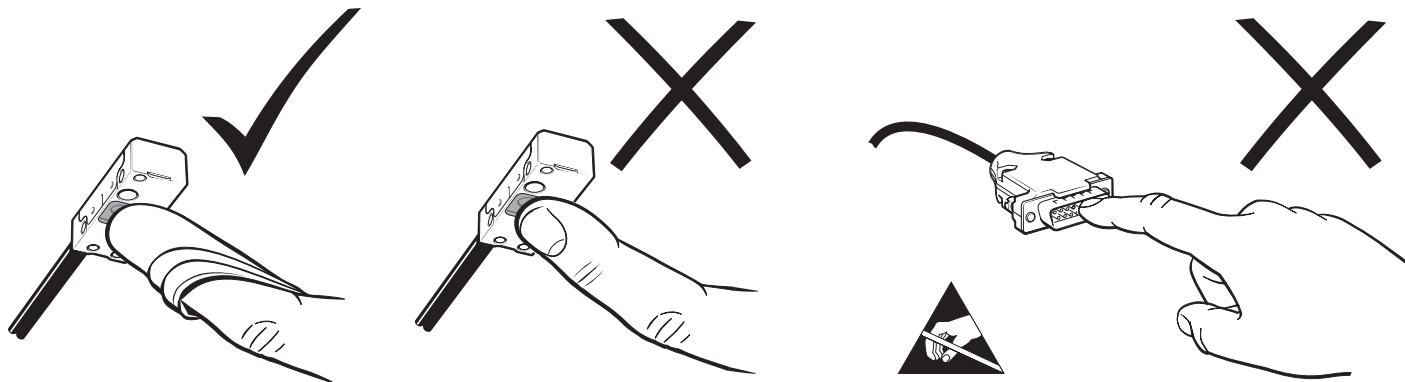
**NOTE:** During storage ensure the self-adhesive tape is on the outside of the bend.

## Scale and readhead



## Readhead only

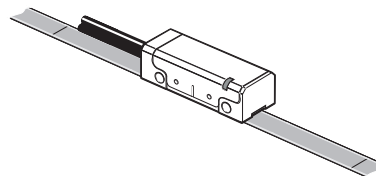
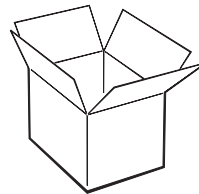




## Temperature

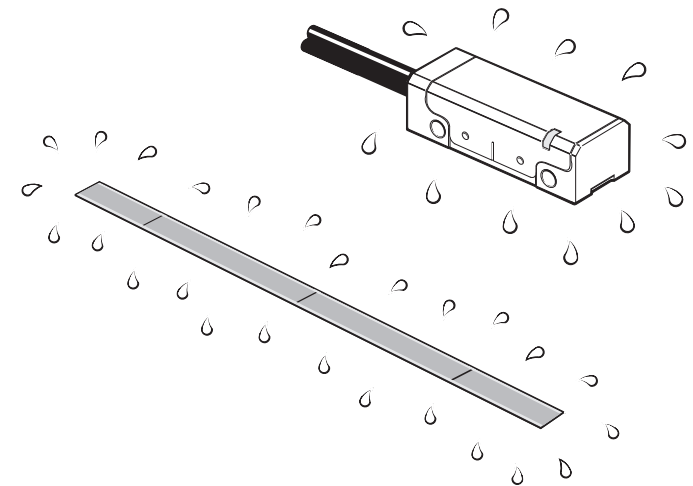
<b>Storage</b>	
<b>System</b>	-20 °C to +70 °C

<b>Operating</b>	
<b>System</b>	0 °C to +70 °C



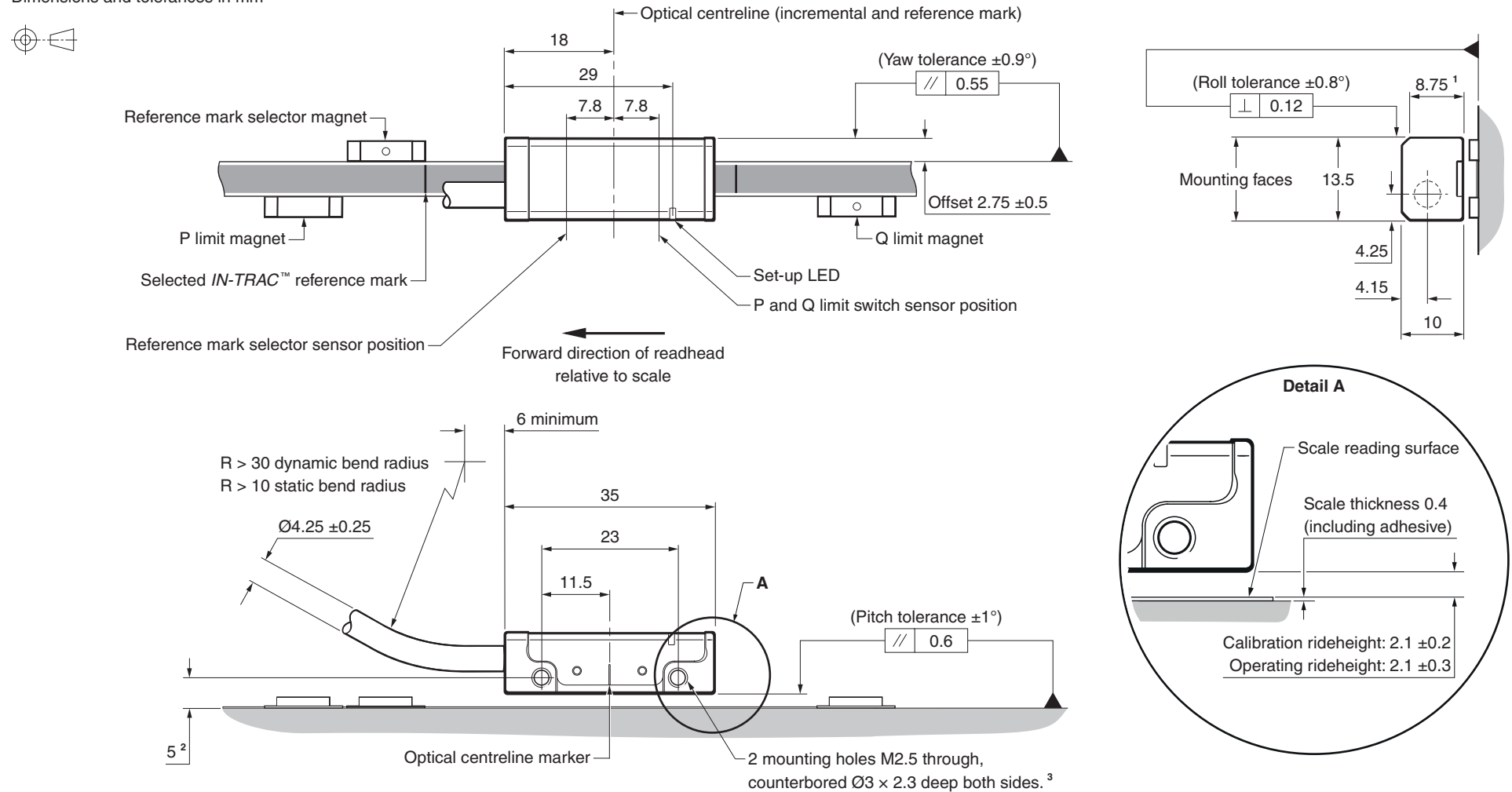
## Humidity

95% relative humidity (non-condensing) to IEC 60068-2-78



# QUANTiC readhead installation drawing

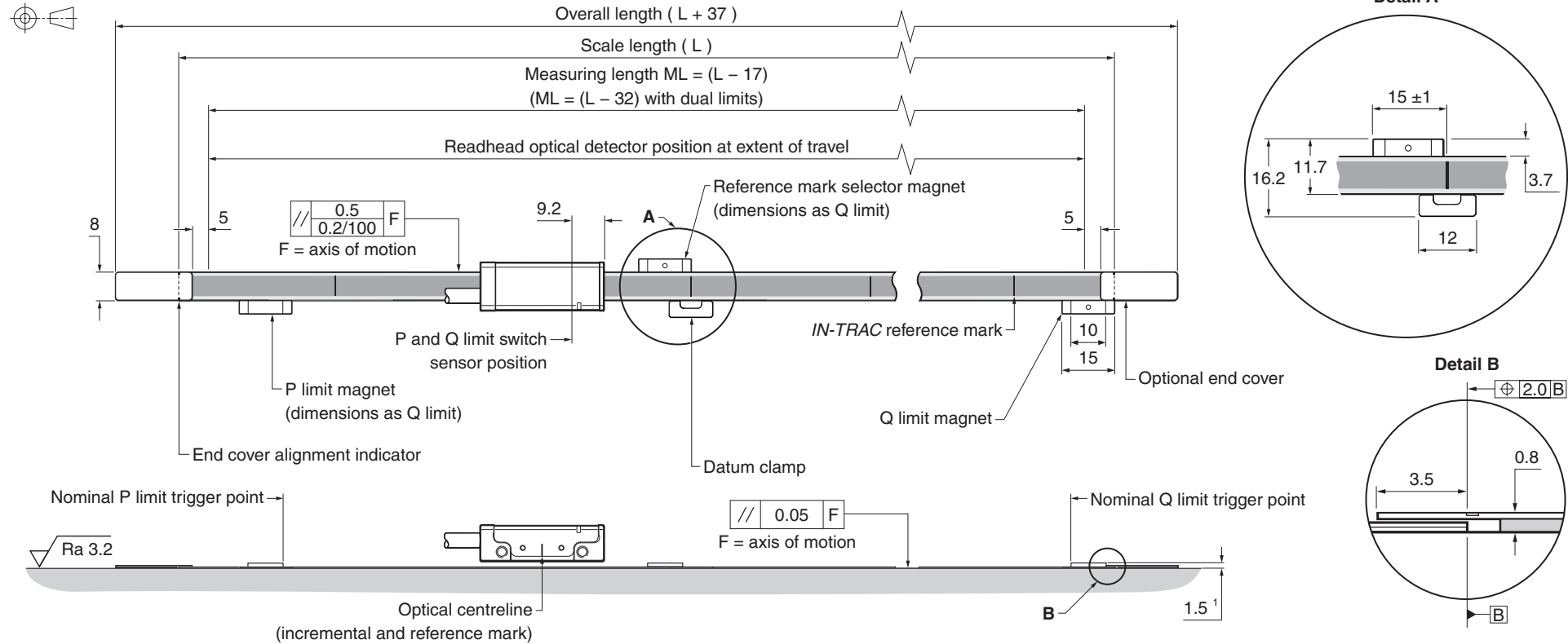
Dimensions and tolerances in mm



<sup>1</sup> Extent of mounting faces.  
<sup>2</sup> Dimension from substrate.  
<sup>3</sup> The recommended thread engagement is 5 mm minimum (7.5 mm including counterbore) and the recommended tightening torque is 0.25 Nm to 0.4 Nm.

# RTL40-S scale installation drawing

Dimensions and tolerances in mm



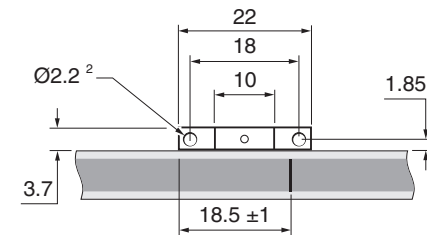
## NOTES:

- The reference mark selector and limit actuator locations are correct for the readhead orientation shown.
- External magnetic fields greater than 6 mT, in the vicinity of the readhead, may cause false activation of the limit and reference sensors.

<sup>1</sup> Dimension from substrate.

<sup>2</sup> Supplied with 2 M2 × 4 screws.

## Alternative bolted reference mark selector and limit magnets



## Equipment for installing the RTALC40-S scale

### Required parts:

- Appropriate length of RTALC40-S scale (see 'RTALC40-S scale installation drawing' on page 12)
- Datum clamp (A-9585-0028)
- Loctite® 435™ (P-AD03-0012)
- Appropriate cleaning solvents (see 'Storage and handling' on page 9)
- RTALC40-S scale applicator (A-9589-0115)
- 2 M2.5 screws
- Green spacer (supplied with the QUANTiC readhead)
- Lint-free cloth

### Optional parts:

- A pair of end covers (A-9585-0035)
- Renishaw scale wipes (A-9523-4040)
- Loctite 435 dispensing tip (P-TL50-0209)
- Guillotine (A-9589-0071) or shears (A-9589-0133) for cutting RTALC40-S to length required
- Magnet applicator tool (A-9653-0201)
- Reference mark and limit magnets; see table below

Magnet type	Part number	
	Adhesive mounted magnets (standard)	Bolted magnets
Reference mark selector <sup>1</sup>	A-9653-0143	A-9653-0290
Q limit	A-9653-0139	A-9653-0291
P limit	A-9653-0138	A-9653-0292

<sup>1</sup> The reference mark selector magnet is only required for 'Customer selectable reference mark' readheads.

## Cutting the RTALC40-S scale

If required cut the RTALC40-S scale to length using a guillotine or the shears.

### Using the guillotine

The guillotine should be held securely in place, using a suitable vice or clamping method.

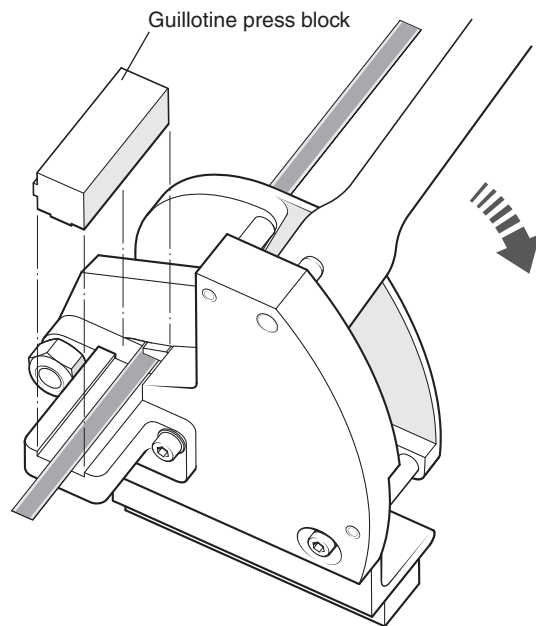
Once secured, feed the RTALC40-S scale through the guillotine as shown, and place the guillotine press block down onto the scale.

---

**NOTE:** Ensure the block is in the correct orientation (as shown below).

---

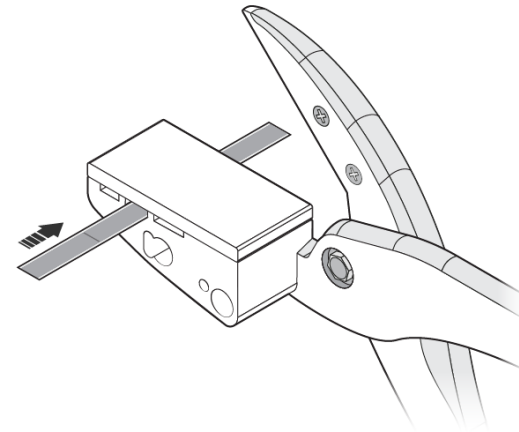
### Guillotine press block orientation when cutting RTALC40-S scale



Whilst holding the block in place, in a smooth motion, pull down the lever to cut through the scale.

### Using the shears

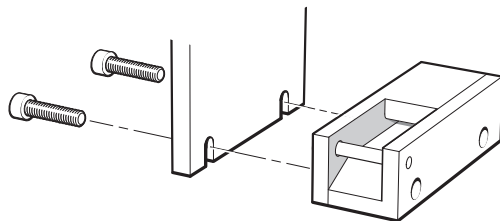
Feed the RTALC40-S scale through the first aperture on the shears (as shown).



Hold the scale in place and close the shears in a smooth motion to cut through the scale.

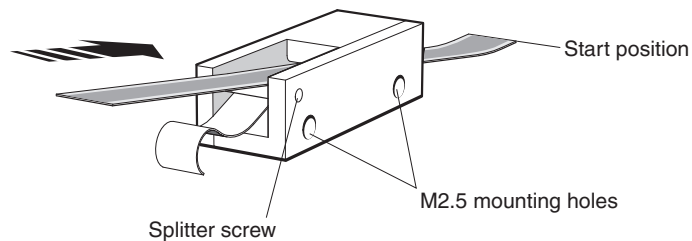
## Applying the RTALC40-S scale

1. Allow the scale to acclimatise to the installation environment prior to installation.
2. Mark out the start position for the scale on the axis substrate ensuring that there is enough room for the optional end covers if required (see 'RTLC40-S scale installation drawing' on page 12).
3. Thoroughly clean and degrease the substrate using the recommended solvents (see 'Storage and handling' on page 9). Allow the substrate to dry before applying the scale.
4. Mount the scale applicator to the readhead mounting bracket. Place the spacer supplied with the readhead between the applicator and the substrate to set the nominal height.

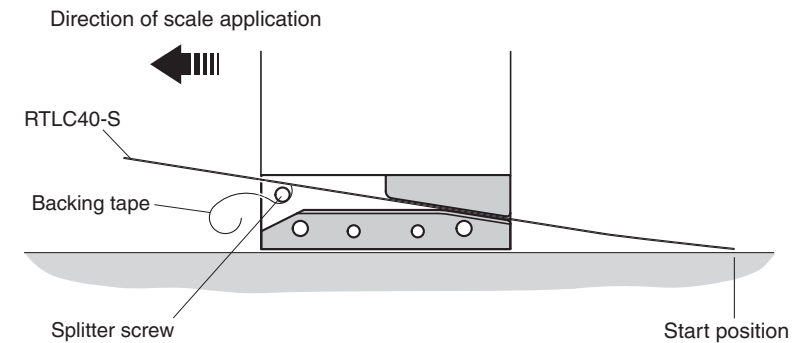


**NOTE:** The scale applicator can be mounted either way round to enable the easiest orientation for the installation of the scale.

5. Move the axis to the start of travel leaving enough room for the scale to be inserted through the applicator, as shown below.
6. Begin to remove the backing paper from the scale and insert the scale into the applicator up to the start position. Ensure the backing tape is routed under the splitter screw.



7. Apply firm finger pressure via a clean, dry, lint-free cloth to ensure the scale end adheres well to the substrate.
8. Slowly and smoothly move the applicator through the entire axis of travel. Ensure the backing paper is pulled manually from the scale and does not catch under the applicator.



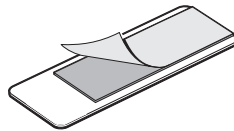
9. During installation ensure the scale adheres to the substrate using light finger pressure.
10. Remove the applicator and, if necessary, adhere the remaining scale manually.
11. Apply firm finger pressure via a clean, dry, lint-free cloth along the length of the scale after application to ensure complete adhesion.
12. Clean the scale using Renishaw scale wipes or a clean, dry, lint-free cloth.

## Fitting the end covers

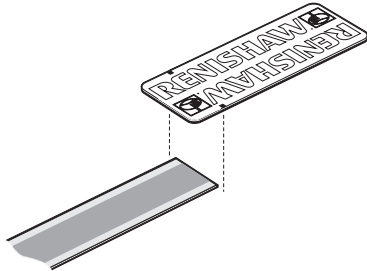
The end cover kit is designed to be used with the RTALC40-S scale to provide protection for exposed scale ends.

**NOTE:** The end covers are optional and can be fitted before or after installation of the readhead.

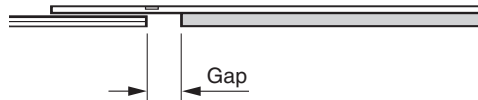
1. Remove the backing tape from the adhesive tape on the back of the end cover.



2. Align the marker on the edges of the end cover with the end of the scale and place the end cover over the scale.



**NOTE:** There will be a gap between the end of the scale and the adhesive tape on the end cover.



## Fitting the datum clamp

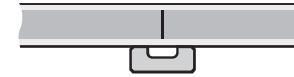
**IMPORTANT:** Allow 24 hours after scale application before fitting datum clamp.

The datum clamp fixes the RTALC40-S scale rigidly to the substrate at the location chosen.

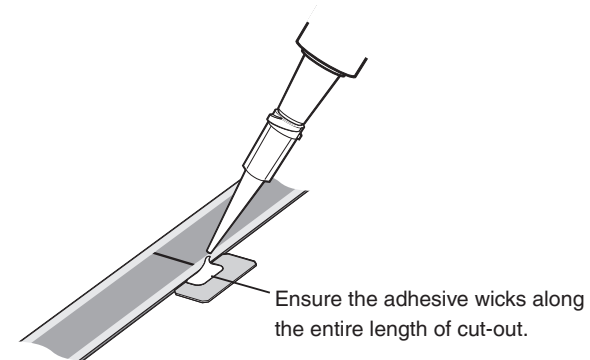
**CAUTION:** The metrology of the system may be compromised if the datum clamp is not used.

The datum clamp does not need to be fitted adjacent to a reference mark. It can be positioned anywhere along the axis depending upon the customers' requirements.

1. Remove the backing paper from the datum clamp. Place the datum clamp with cut-out against the scale at the chosen location.



2. Place a small amount of adhesive (Loctite 435) in the cut-out on the datum clamp, ensuring none of the adhesive wicks onto the scale surface. Dispensing tips are available.





## Reference mark selector and limit magnet installation

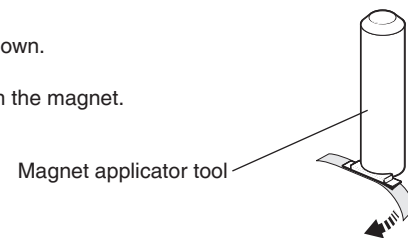
**IMPORTANT:** Allow 24 hours after the scale application before fitting the magnets.

As the readhead passes the reference mark selector magnet or limit switch magnet, a force of up to 0.2 N is generated between the magnet and the concentrators on the readhead.

- The design of the bracket should be sufficiently stiff so that it is able to tolerate such force without distorting.
- Fitting the scale according to the instructions in this manual prevents the magnetic force from disturbing the scale.

For accuracy and ease of positioning of the reference mark selector and limit magnets, the applicator tool should be used.

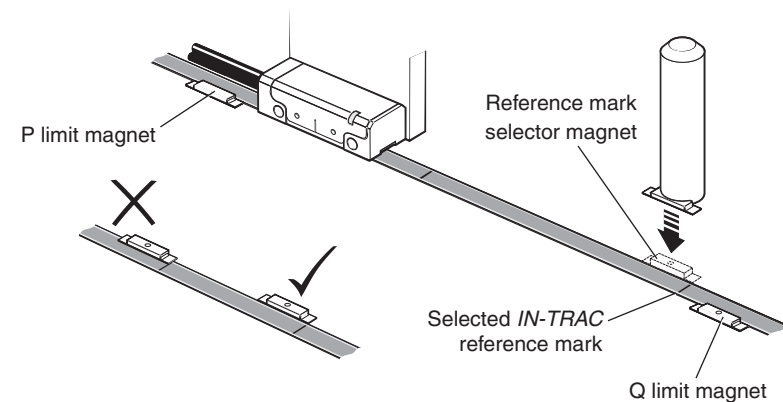
1. Attach the magnet to the applicator tool as shown.
2. Remove the self-adhesive backing paper from the magnet.



3. Place the magnet in the chosen location alongside the edge of the scale ensuring that it is not mounted on the scale.
  - Limit magnets can be positioned at any user defined location along the axis length.
  - The reference mark selector magnet should be positioned adjacent to the selected *IN-TRAC* reference mark as shown.<sup>1</sup>

<sup>1</sup> The reference mark selector magnet is only required for 'Customer selectable reference mark' readheads. For more information refer to *QUANTiC™ series encoder system* data sheet (Renishaw part no. L-9517-9778).

**NOTE:** The reference mark selector and limit actuator locations are correct for the readhead orientation shown.



4. Apply firm finger pressure to the magnet via a clean, dry, lint-free cloth to ensure complete adhesion

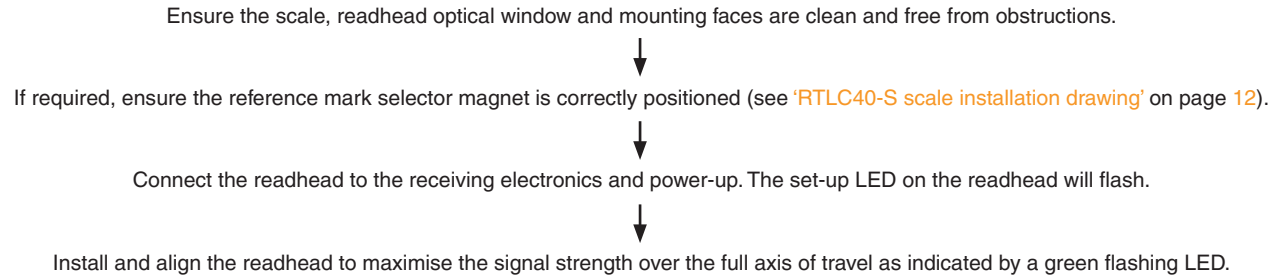
### NOTES:

- The limit output is nominally asserted when the readhead limit switch sensor passes the limit magnet leading edge, but can trigger up to 3 mm before that edge (see '[RTL40-S scale installation drawing](#)' on page 12).
- The reference and limit magnets may creep when influenced by magnetic materials in close proximity. In such cases, they should be held in place using an additional fillet of epoxy glue or similar along the outer edge of the magnet assembly. Alternative bolted reference and limit magnets are available (see '[RTL40-S scale installation drawing](#)' on page 12).
- External magnetic fields greater than 6 mT, in the vicinity of the readhead, may cause false activation of the limit and reference sensors.

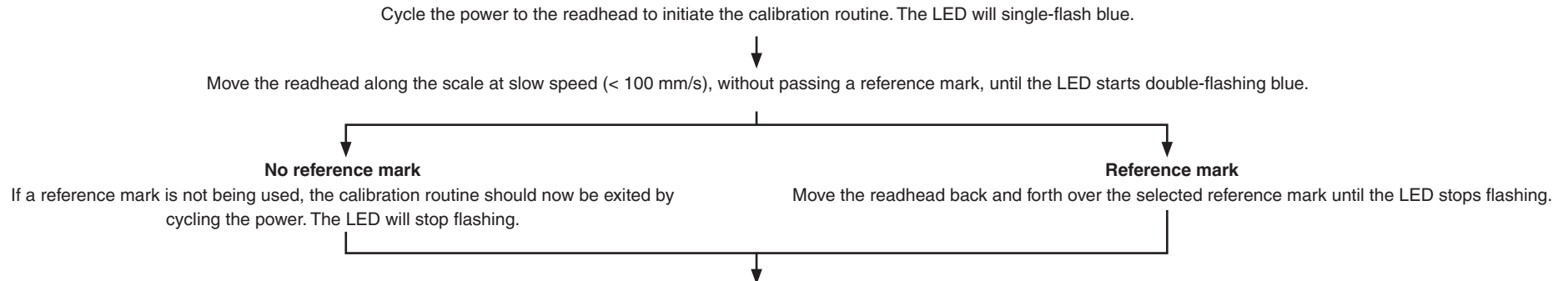
# QUANTiC readhead quick-start guide

This section is a quick-start guide to installing a QUANTiC readhead. More detailed information on installing the readhead is contained on page 19 to page 21 of this installation guide. The optional Advanced Diagnostic Tool ADTi-100 <sup>1</sup> (A-6165-0100) and ADT View software <sup>2</sup> can be used to aid installation and calibration.

## INSTALLATION



## CALIBRATION



The system is now calibrated and ready for use. Calibration values, Automatic Gain Control (AGC) and Automatic Offset Control (AOC) status, are stored in readhead non-volatile memory at power down.

**NOTE:** If the calibration routine fails (LED remains single-flashing blue), restore the readhead factory defaults (see 'Restoring factory defaults' on page 21) and repeat the installation and calibration routine.

<sup>1</sup> For more details refer to the *Advanced Diagnostic Tool ADTi-100 and ADT View software* user guide (Renishaw part no. M-6195-9413) and *Advanced Diagnostic Tool ADTi-100 and ADT View software* quick-start guide (Renishaw part no. M-6195-9321).

<sup>2</sup> The software can be downloaded for free from [www.renishaw.com/adt](http://www.renishaw.com/adt).

# Readhead mounting and alignment

## Mounting brackets

The bracket must have a flat mounting surface and should provide adjustment to enable conformance to the installation tolerances, allow adjustment to the rideheight of the readhead, and be sufficiently stiff to prevent deflection or vibration of the readhead during operation.

## Readhead set-up

Ensure that the scale, readhead optical window and mounting face are clean and free from obstructions.

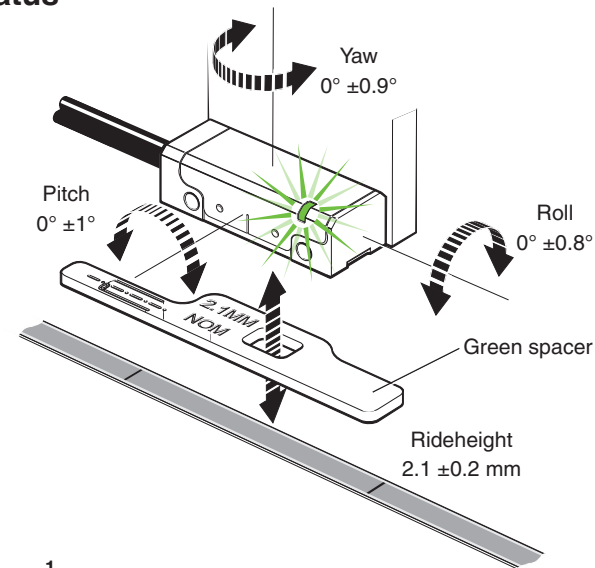
**NOTE:** When cleaning the readhead and the scale apply the cleaning fluid sparingly, do not soak.

1. Mount the readhead to the bracket using 2 M2.5 screws.
2. To set nominal rideheight, place the green spacer with the aperture under the optical centre of the readhead to allow normal LED function during set-up procedure.
3. Adjust the readhead to achieve a flashing green LED along the full axis of travel. The faster the flash rate, the closer it is to optimum set-up.

The optional Advanced Diagnostic Tool ADTi-100 (A-6195-0100) and ADT View software can be used to optimise signal strength in challenging installations. See [www.renishaw.com/adt](http://www.renishaw.com/adt) for more information.

**NOTE:** When reinstalling the readhead the factory defaults should be restored (see 'Restoring factory defaults' on page 21).

## Readhead set-up LED status



## Readhead LED diagnostics <sup>1</sup>

Mode	LED	Status
Installation mode	Green flashing	Good set-up: maximise flash rate for optimum set-up
	Orange flashing	Poor set-up: adjust readhead to obtain green flashing LED
	Red flashing	Poor set-up: adjust readhead to obtain green flashing LED
Calibration mode	Blue single-flashing	Calibrating incremental signals
	Blue double-flashing	Calibrating reference mark
Normal operation	Blue	AGC on; optimum set-up
	Green	AGC off; optimum set-up
	Red	Poor set-up; signal may be too low for reliable operation
	Blank flash	Reference mark detected (visible indication at speed < 100 mm/s only)
Alarm	Four red flashes	Low signal, over signal, or overspeed; system in error
	Red and purple flashing (analogue variant only)	AGC out of normal operating range

<sup>1</sup> See 'Troubleshooting' on page 22 for more information on diagnosing faults.

# System calibration

**NOTE:** The functions described below can also be carried out by using the optional ADTi-100 and ADT View software. See [www.renishaw.com/adt](http://www.renishaw.com/adt) for more information.

## Before system calibration:

1. Clean the scale and readhead optical window.
2. If reinstalling, restore the factory defaults (see ['Restoring factory defaults'](#) on page 21).
3. Maximise the signal strength along the full length of travel (set-up LED is flashing green).

**NOTE:** During calibration the speed should not exceed 100 mm/s or the readheads' maximum speed, whichever is slowest.

## Incremental signal calibration

1. Cycle the power to the readhead or connect the 'Remote CAL' output pin to 0 V for < 3 seconds. The readhead will then periodically single-flash blue to indicate it is in calibration mode as detailed in ['Readhead mounting and alignment'](#) on page 19. The readhead will only enter calibration mode if the LED is flashing green.
2. Move the readhead at slow speed along the axis, ensuring it does not pass a reference mark, until the LED starts double-flashing indicating the incremental signals are now calibrated and the new settings are stored in the readhead memory.
3. The system is now ready for reference mark phasing. For systems without a reference mark, cycle the power to the readhead or connect the 'Remote CAL' output pin to 0 V for < 3 seconds to exit calibration mode.
4. If the system does not automatically enter the reference mark phasing stage (LED continues single-flashing) the calibration of the incremental signals has failed. After ensuring failure is not due to overspeed (> 100 mm/s, or exceeding the readhead maximum speed), exit the calibration routine, restore factory defaults (see ['Restoring factory defaults'](#) on page 21) and check the readhead installation and system cleanliness before repeating the calibration routine.

**NOTE:** For analogue variants of QUANTiC ensure the correct termination of output signals (see ['Recommended signal termination'](#) on page 30).

## Reference mark phasing

1. Move the readhead back and forth over the selected reference mark until the LED stops flashing and remains solid blue. The reference mark is now phased.

**NOTE:** Only the chosen reference mark that has been used in the calibration routine is guaranteed to remain phased.

2. The system automatically exits the calibration routine and is ready for operation.
3. AGC and AOC are automatically switched on once calibration is complete. To switch off AGC refer to ['Switching Automatic Gain Control \(AGC\) on or off'](#) on page 21.
4. If the LED continues double-flashing after repeatedly passing the chosen reference mark it is not being detected.
  - Ensure that the correct readhead configuration is being used. Readheads can either output all reference marks or only output a reference mark where a reference selector magnet is fitted depending on the options chosen when ordering.
  - Check that the reference mark selector magnet is fitted in the correct location relative to readhead orientation (see ['RTL40-S scale installation drawing'](#) on page 12).

## Calibration routine manual exit

To exit the calibration routine at any stage, cycle the power to the readhead or connect the 'Remote CAL' output pin to 0 V for < 3 seconds. The LED will stop flashing.

## LED status during system calibration

LED	Settings stored
Blue single-flashing	None, restore factory defaults and recalibrate
Blue double-flashing	Incremental only
Blue (auto-complete)	Incremental and reference mark

## Restoring factory defaults

When realigning the readhead, reinstalling the system, or in the case of continued calibration failure, factory defaults must be restored.

---

**NOTE:** Restoring factory defaults can also be carried out using the optional ADTi-100 and ADT View software. See [www.renishaw.com/adt](http://www.renishaw.com/adt) for more information.

---

### To restore factory defaults:

1. Switch system off.
2. Obscure the readhead optical window (using the green spacer supplied with the readhead ensuring the cut-out is NOT under the optical window) or connect the 'Remote CAL' output pin to 0 V.
3. Power the readhead.
4. Remove the spacer or, if using, the connection from the 'Remote CAL' output pin to 0 V.
5. The LED will start continuously flashing indicating factory defaults have been restored and the readhead is in installation mode.
6. Repeat the 'Readhead set-up' procedure on page 19.

## Switching Automatic Gain Control (AGC) on or off

The AGC is automatically enabled once the system has been calibrated (indicated by a blue LED). AGC can be manually switched off by connecting the 'Remote CAL' output pin to 0 V for > 3 seconds < 10 seconds. The LED will then be solid green.

---

**NOTE:** AGC can be switched on or off using the optional ADTi-100 and ADT View software. See [www.renishaw.com/adt](http://www.renishaw.com/adt) for more information.

---

# Troubleshooting

Fault	Cause	Possible solutions
<b>LED on the readhead is blank</b>	There is no power to the readhead	<ul style="list-style-type: none"> <li>• Ensure 5 V is supplied at the readhead</li> <li>• For cable variants, check the correct wiring of the connector</li> <li>• If using the analogue variant of QUANTiC with the ADTi, ensure the appropriate adaptor cables are connected</li> </ul>
<b>LED on the readhead is flashing red during installation mode</b>	The signal strength is < 50%	<ul style="list-style-type: none"> <li>• Check the readhead optical window and scale are clean and free from contamination</li> <li>• Restore factory defaults (see page 21) and check the alignment of the readhead. In particular:               <ul style="list-style-type: none"> <li>• Rideheight</li> <li>• Yaw</li> <li>• Offset</li> </ul> </li> <li>• Ensure the correct scale and readhead combination</li> </ul>
<b>Unable to get a green LED over the complete axis length</b>	System run-out is not within specification	<ul style="list-style-type: none"> <li>• Use a DTi gauge and check the run-out is within specifications</li> <li>• Restore factory defaults (see page 21)</li> <li>• Realign the readhead to obtain a green flashing LED at the mid-point of the run-out</li> <li>• Recalibrate the system (see page 20)</li> </ul>
<b>Can't initiate the calibration routine</b>	Signal size is < 70%	<ul style="list-style-type: none"> <li>• Realign the readhead to obtain a green flashing LED</li> </ul>

Fault	Cause	Possible solutions
<p><b>During calibration the LED on the readhead remains single-flashing blue even after moving it along the full axis length</b></p>	<p>The system has failed to calibrate the incremental signals due to the signal strength being &lt; 70%</p>	<ul style="list-style-type: none"> <li>• Exit CAL mode and restore factory defaults (see page 21)</li> <li>• Check the readhead set-up and alignment (see page 19)</li> </ul>
	<p>Incorrect termination (analogue variant only)</p>	<ul style="list-style-type: none"> <li>• Check the output signal termination (see page 30)</li> <li>• When using the readhead with the ADTi-100 in stand-alone mode ensure the Termination tool (A-6195-2132) is connected</li> <li>• Exit CAL mode and restore factory defaults (see page 21)</li> <li>• Check the readhead set-up and alignment (see page 19)</li> </ul>
<p><b>During calibration the LED on the readhead is double-flashing blue even after moving it past the reference mark several times</b></p>	<p>The readhead is not seeing a reference mark</p>	<ul style="list-style-type: none"> <li>• Ensure correct position of the reference mark selector magnet</li> <li>• Ensure you are moving the readhead past your chosen reference mark several times</li> <li>• Check the readhead/selector magnet orientation</li> <li>• Check the readhead optical window and scale are clean and free from contamination</li> </ul>
<p><b>No reference mark output</b></p>		<ul style="list-style-type: none"> <li>• Ensure you are not moving the readhead too fast during calibration mode (maximum speed &lt; 100 mm/sec)</li> <li>• Calibrate the system (see page 20) <ul style="list-style-type: none"> <li>• If the system completes the calibration mode, it has successfully seen and calibrated the reference mark. If you still do not see a reference mark, check the system wiring.</li> <li>• If the system does not calibrate the reference mark (LED on the readhead remains double-flashing blue), see above for possible solutions.</li> </ul> </li> </ul>
<p><b>Reference mark is not repeatable</b></p>	<p>Only the chosen reference mark that has been used in the calibration sequence is repeatable; other reference marks may not be phased</p>	<ul style="list-style-type: none"> <li>• Ensure you are using the reference mark that has been calibrated for referencing your system</li> <li>• The readhead bracket must be stable and not allow any mechanical movement of the readhead</li> <li>• Clean the scale and readhead optical window and check for damage then recalibrate the system over the chosen reference mark (see page 20)</li> </ul>

Fault	Cause	Possible solutions
<b>LED on the readhead is flashing red over the reference mark</b>	The reference mark is not phased	<ul style="list-style-type: none"> <li>• Ensure you are using the reference mark that has been calibrated for referencing your system, as only this reference mark will be guaranteed to remain phased</li> <li>• Clean the scale and readhead optical window and check for scratches, then recalibrate the system over the chosen reference mark (see page 20)</li> </ul>
<b>Multiple reference marks are being output</b>	The readhead reference mark option is either option B or F, 'All reference marks are output'	<ul style="list-style-type: none"> <li>• Calibrate the system ensuring all the incremental signal calibration steps and the reference mark phasing steps are completed (see page 20)</li> <li>• Ensure you calibrate the reference mark used for referencing your system, as only this reference mark will be guaranteed to remain phased</li> </ul>
<b>LED on the readhead is flashing red and purple (analogue variant only)</b>	AGC is outside of the normal operating range	<ul style="list-style-type: none"> <li>• Check the output signal termination (see page 30)</li> <li>• When using the readhead with the ADTi-100 in stand-alone mode, ensure the Termination tool (A-6195-2132) is connected</li> <li>• Check the the cable continuity</li> <li>• Ensure the correct scale and readhead combination</li> </ul>
<b>LED on the readhead is flashing red four times upon switch on</b>	Low signal, over signal, or the readhead speed is too fast. The system is in error.	<ul style="list-style-type: none"> <li>• Check the readhead set-up and alignment (see page 19)</li> </ul>
	Incorrect termination (analogue variant only)	<ul style="list-style-type: none"> <li>• Check the output signal termination (see page 30)</li> <li>• When using the readhead with the ADTi-100 in stand-alone mode, ensure the Termination tool (A-6195-2132) is connected</li> <li>• Exit the CAL mode and restore factory defaults (see page 21)</li> <li>• Check the readhead set-up and alignment (see page 19)</li> </ul>



## Output signals

### Digital outputs

Function	Signal	Colour	9-way D-type (A)	15-way D-type (D)	15-way D-type alternative pin-out (H)	12-way circular connector (X)	14-way JST (J)	
Power	5 V	Brown	5	7, 8	4, 12	G	10	
	0 V	White	1	2, 9	2, 10	H	1	
Incremental	A	+	Red	2	14	1	M	7
		-	Blue	6	6	9	L	2
	B	+	Yellow	4	13	3	J	11
		-	Green	8	5	11	K	9
Reference mark	Z	+	Violet	3	12	14	D	8
		-	Grey	7	4	7	E	12
Limits	P	Pink	-	11	8	A	14	
	Q	Black	-	10	6	B	13	
Alarm	E	-	Orange	-	3	13	F	3
Remote CAL <sup>1</sup>	CAL	Clear	9	1	5	C	4	
Shield	-	Screen	Case	Case	Case	Case	Ferrule	

<sup>1</sup> The remote CAL line must be connected for use with the ADTi-100.

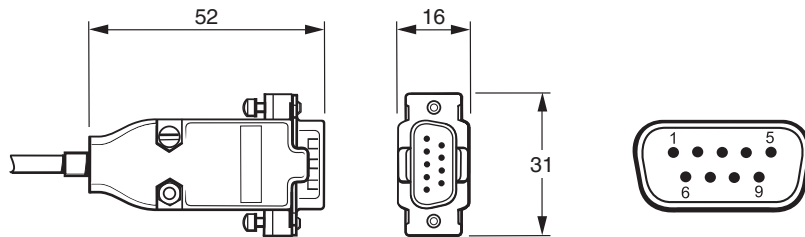
## Analogue outputs

Function		Signal	Colour	15-way D-type (L)	15-way D-type alternative pin-out (H)	14-way JST (J)	
Power		5 V	Brown	4, 5	4, 12	10	
		0 V	White	12, 13	2, 10	1	
Incremental	Cosine	$V_1$	+	Red	9	1	7
			-	Blue	1	9	2
	Sine	$V_2$	+	Yellow	10	3	11
			-	Green	2	11	9
Reference mark		$V_0$	+	Violet	3	14	8
			-	Grey	11	7	12
Limits		$V_p$	Pink	7	8	14	
		$V_g$	Black	8	6	13	
Setup		$V_x$	Clear	6	13	6	
Remote CAL <sup>1</sup>		CAL	Orange	14	5	4	
Shield		-	Screen	Case	Case	Ferrule	

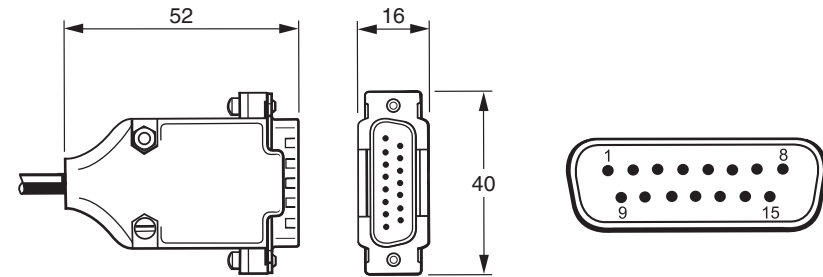
<sup>1</sup> The remote CAL line must be connected for use with the ADTi-100.

## QUANTiC readhead termination options

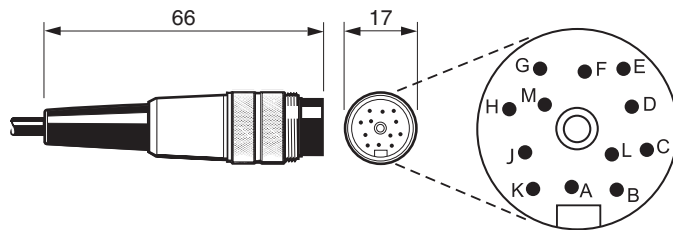
### 9-way D-type connector (termination code A)



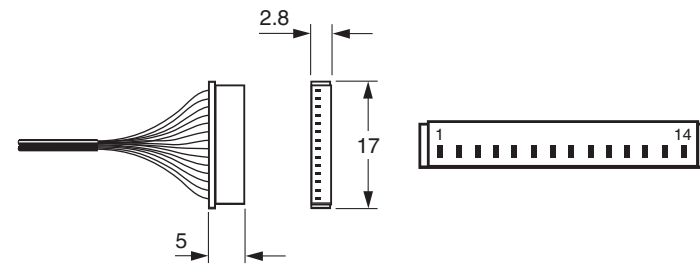
### 15-way D-type connector (termination code D, L, H)



### 12-way in-line circular connector (termination code X) <sup>1</sup>



### 14-way JST connector (termination code J) <sup>2</sup>



<sup>1</sup> 12-way circular Binder mating socket (A-6195-0105).

<sup>2</sup> Pack of 5 14-way JST SH mating sockets:

Bottom mount (A-9417-0025);

Side mount (A-9417-0026).

Maximum of 20 insertion cycles for JST connector.

# Speed

## Digital readheads

Clocked output option (MHz)	Maximum speed (m/s)							Minimum edge separation <sup>1</sup> (ns)
	T (10 µm)	D (5 µm)	X (1 µm)	Z (0.5 µm)	W (0.2 µm)	Y (0.1 µm)	H (50 nm)	
50	24	24	24	18.13	7.25	3.626	1.813	25.1
40	24	24	24	14.50	5.80	2.900	1.450	31.6
25	24	24	18.13	9.06	3.63	1.813	0.906	51.0
20	24	24	16.11	8.06	3.22	1.611	0.806	57.5
12	24	24	10.36	5.18	2.07	1.036	0.518	90.0
10	24	24	8.53	4.27	1.71	0.853	0.427	109
08	24	24	6.91	3.45	1.38	0.691	0.345	135
06	24	24	5.37	2.69	1.07	0.537	0.269	174
04	24	18.13	3.63	1.81	0.73	0.363	0.181	259
01	9.06	4.53	0.91	0.45	0.18	0.091	0.045	1038

## Analogue readheads

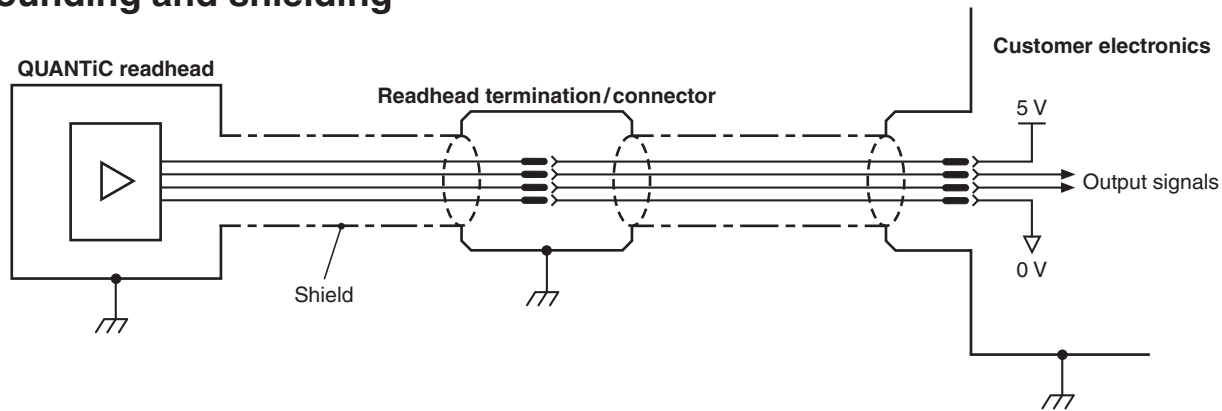
Maximum speed: 20 m/s (-3dB) <sup>2</sup>

<sup>1</sup> For a readhead with a 1 m cable.

<sup>2</sup> If the speed exceeds 20 m/s, SDE performance cannot be guaranteed.

## Electrical connections

### Grounding and shielding

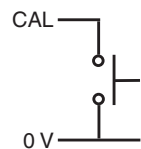


**IMPORTANT:** The shield should be connected to the machine earth (Field Ground). For JST variants the ferrule should be connected to the machine earth.

### Maximum cable length

	Analogue	Digital
Readhead cable	5 m	3 m
Maximum extension cable length	Dependent on the cable type, the readhead cable length and the clocked output option. Contact your local Renishaw representative for more information.	
Readhead to ADTi-100	5 m	3 m

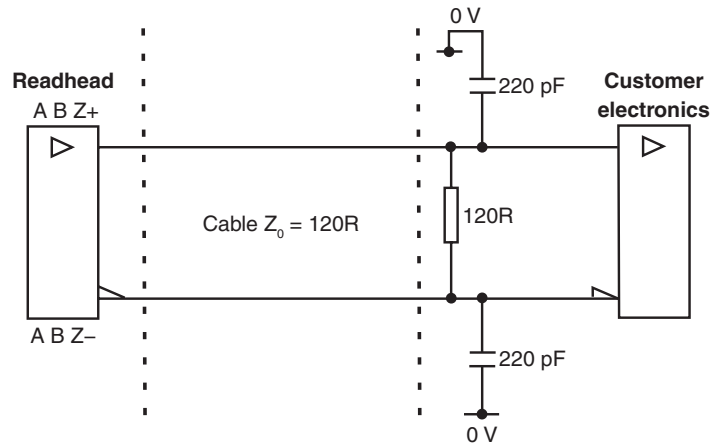
### Remote CAL operation



Remote operation of the CAL/AGC is possible via CAL signal.

## Recommended signal termination

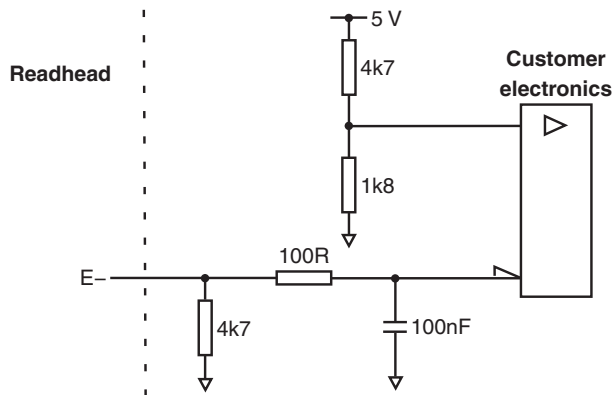
### Digital outputs



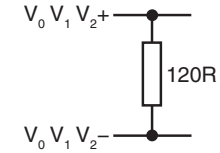
Standard RS422A line receiver circuitry.  
The capacitors are recommended for improved noise immunity.

### Single-ended alarm signal termination

(not available with 'A' cable termination)



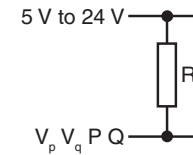
### Analogue outputs



**NOTE:** 120R termination on the analogue output signals is essential for correct AGC operation.

### Limit output

(not available with 'A' cable termination)



**NOTE:** Select R so that maximum current does not exceed 20 mA. Alternatively, use a suitable relay or opto-isolator.

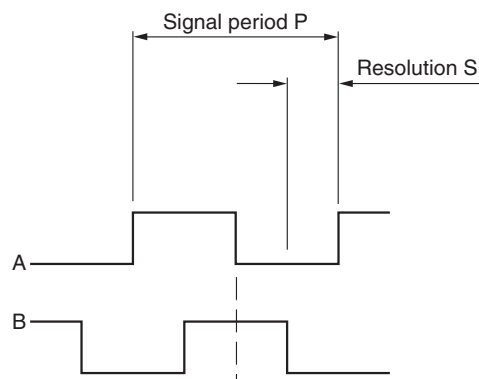
# Output specifications

## Digital output signals

Form – Square wave differential line driver to EIA RS422A (except limits P and Q)

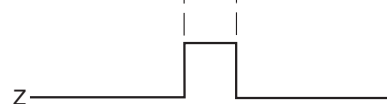
### Incremental <sup>1</sup>

2 channels A and B in quadrature (90° phase shifted)



Resolution option code	P (µm)	S (µm)
T	40	10
D	20	5
X	4	1
Z	2	0.5
W	0.8	0.2
Y	0.4	0.1
H	0.2	0.05

### Reference <sup>1</sup>



Synchronised pulse Z, duration as resolution. Bi-directionally repeatable. <sup>2</sup>

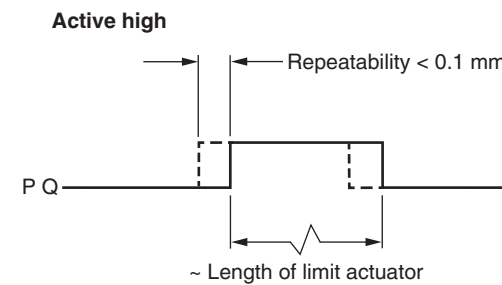
**NOTE:** A wide reference mark option, outputting a reference pulse for the duration of the signal period is available. Contact your local Renishaw representative for more information.

<sup>1</sup> For clarity, the inverse signals are not shown.

<sup>2</sup> Only the calibrated reference mark is bi-directionally repeatable.

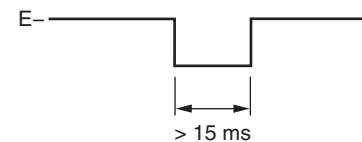
### Limits

Open collector output, asynchronous pulse (not available with 'A' cable termination)



### Alarm

**Line driven** (asynchronous pulse)  
(not available with 'A' cable termination)



Alarm asserted when:

- The signal amplitude is < 20% or > 135%
- The readhead speed is too high for reliable operation

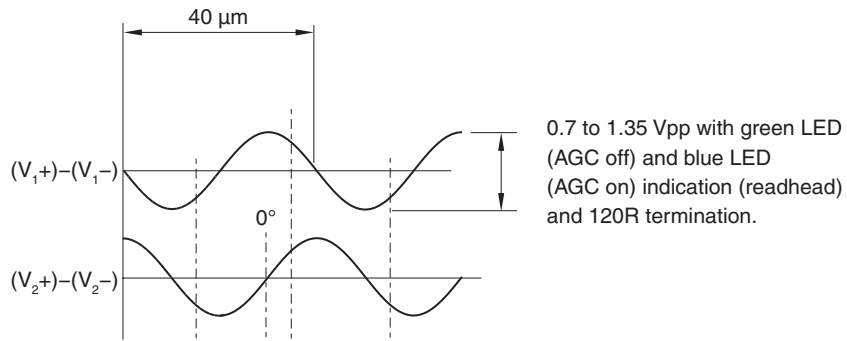
#### or 3-state alarm

Differentially transmitted signals forced open circuit for > 15 ms when alarm conditions valid.

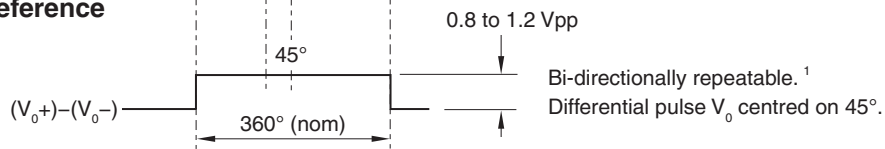
## Analogue output signals

### Incremental

2 channels  $V_1$  and  $V_2$  differential sinusoids in quadrature, centred on  $-1.65$  V ( $90^\circ$  phase shifted)

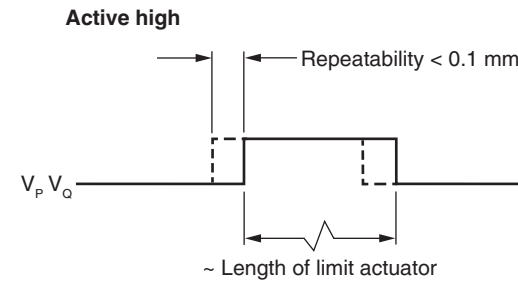


### Reference

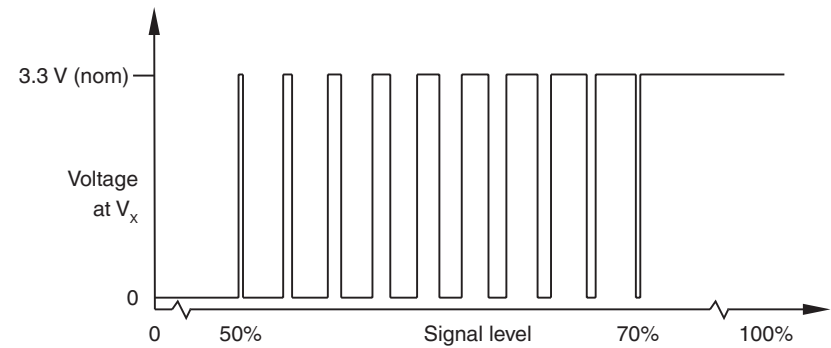


### Limits

Open collector output, asynchronous pulse



### Set-up<sup>2</sup>




Between  $50\%$  and  $70\%$  the signal level  $V_x$  is a duty cycle. Time spent at  $3.3$  V increases with incremental signal level. At  $> 70\%$  the signal level  $V_x$  is nominal  $3.3$  V.

<sup>1</sup> Only the calibrated reference mark is bi-directionally repeatable.

<sup>2</sup> The set-up signal as shown is not present during the calibration routine.



## General specifications

<b>Power supply</b>	5V -5%/+10%	Typically 150 mA fully terminated (analogue output) Typically 200 mA fully terminated (digital output) Power from a 5 Vdc supply complying with the requirements for SELV of standard IEC 60950-1
	Ripple	200 mVpp maximum @ frequency up to 500 kHz
<b>Temperature</b>	System (storage)	-20 °C to +70 °C
	System (operating)	0 °C to +70 °C
<b>Humidity</b>	System	95% relative humidity (non-condensing) to IEC 60068-2-78
<b>Sealing</b>		IP40
<b>Acceleration</b>	System (operating)	400 m/s <sup>2</sup> , 3 axes
<b>Shock</b>	System (operating)	500 m/s <sup>2</sup> , 11 ms, ½ sine, 3 axes
<b>Vibration</b>	Readhead (operating)	100 m/s <sup>2</sup> max @ 55 Hz to 2000 Hz, 3 axes
	Scale (operating)	300 m/s <sup>2</sup> max @ 55 Hz to 2000 Hz, 3 axes
<b>Mass</b>	Readhead	9 g
	Cable	26 g/m
<b>EMC compliance</b>		IEC 61326-1
<b>Readhead cable</b>		Single-shielded, outside diameter 4.25 ±0.25 mm Flex life > 20 × 10 <sup>6</sup> cycles at 30 mm bend radius UL recognised component 
	Maximum length	5 m (analogue) 3 m (digital)
<b>Connector options</b>		<b>Code - connector type</b> A - 9-way D-type - Digital output only L - 15-way D-type (standard pin-out) - Analogue output only D - 15-way D-type (standard pin-out) - Digital output only H - 15-way D-type (alternative pin-out) X - 12-way circular connector - Digital output only J - 14-way JST connector
<b>Typical sub-divisional error (SDE)</b>	Analogue output	< ±120 nm
	Digital output	< ±80 nm

**CAUTION:** Renishaw encoder systems have been designed to the relevant EMC standards, but must be correctly integrated to achieve EMC compliance. In particular, attention to shielding arrangements is essential.

## RTL40-S scale specifications

<b>Form (height × width)</b>	0.4 mm × 8 mm (including adhesive)	
<b>Pitch</b>	40 µm	
<b>Accuracy (at 20 °C) (includes slope and linearity)</b>	RTL40-S	±15 µm/m calibration traceable to International Standards
	RTL40H-S	±5 µm/m calibration traceable to International Standards
<b>Linearity</b>	RTL40-S	±5 µm/m (achievable with 2 point error correction)
	RTL40H-S	±2.5 µm/m (achievable with 2 point error correction)
<b>Supplied length</b>	20 mm to 10 m <sup>1</sup> (> 10 m available on request)	
<b>Material</b>	Hardened and tempered martensitic stainless steel fitted with a self-adhesive backing tape	
<b>Mass</b>	12.9 g/m	
<b>Coefficient of thermal expansion (at 20 °C)</b>	10.1 ±0.2 µm/m/°C	
<b>Installation temperature</b>	+15 °C to +35 °C	
<b>Datum fixing</b>	Loctite 435 with A-9585-0028 clamp	

## Reference mark

<b>Type</b>	Customer selected <i>IN-TRAC</i> reference mark, directly embedded into the incremental track. Bi-directional position repeatability	
	L ≤ 100 mm	Single reference mark at scale centre
	L > 100 mm	Reference marks at 50 mm spacing (first reference mark 50 mm from scale end)
<b>Selection</b>	Customer positioned selector magnet (A-9653-0143) for selecting desired <i>IN-TRAC</i> reference mark	
<b>Repeatability</b>	Unit of resolution repeatability (bi-directional) across full system rated speed and temperature ranges	



## Limit switches

<b>Type</b>	Magnetic actuators; with dimple triggers Q limit, without dimple triggers P limit (see ' <a href="#">RTL40-S scale installation drawing</a> ' on page 12)
<b>Trigger point</b>	The limit output is nominally asserted when the readhead limit switch sensor passes the limit magnet leading edge, but can trigger up to 3 mm before that edge
<b>Mounting</b>	Customer placed at desired locations
<b>Repeatability</b>	< 0.1 mm

<sup>1</sup> For lengths > 2 m the *FASTRACK*™ carrier with the RTL40 scale is recommended. Refer to the *QUANTIC*™ *RTL40/FASTRACK*™ *incremental linear encoder system* installation guide (Renishaw part no. M-9417-9248).

[www.renishaw.com/contact](http://www.renishaw.com/contact)

 #renishaw

 **+44 (0) 1453 524524**    **uk@renishaw.com**

© 2019–2023 Renishaw plc. All rights reserved. This document may not be copied or reproduced in whole or in part, or transferred to any other media or language by any means, without the prior written permission of Renishaw. RENISHAW® and the probe symbol are registered trade marks of Renishaw plc. Renishaw product names, designations and the mark 'apply innovation' are trade marks of Renishaw plc or its subsidiaries. Other brand, product or company names are trade marks of their respective owners. Renishaw plc. Registered in England and Wales. Company no: 1106260. Registered office: New Mills, Wotton-under-Edge, Glos, GL12 8JR, UK.

WHILE CONSIDERABLE EFFORT WAS MADE TO VERIFY THE ACCURACY OF THIS DOCUMENT AT PUBLICATION, ALL WARRANTIES, CONDITIONS, REPRESENTATIONS AND LIABILITY, HOWSOEVER ARISING, ARE EXCLUDED TO THE EXTENT PERMITTED BY LAW. RENISHAW RESERVES THE RIGHT TO MAKE CHANGES TO THIS DOCUMENT AND TO THE EQUIPMENT, AND/OR SOFTWARE AND THE SPECIFICATION DESCRIBED HEREIN WITHOUT OBLIGATION TO PROVIDE NOTICE OF SUCH CHANGES.

Part no.: M-9417-9255-04-A  
Issued: 07.2023